

gemini
ITALY

**25V 2-in-1 Handheld / Stick
Cordless Rechargeable Water
Cyclonic Vacuum Cleaner**

**25V 2合1手提 / 直立式
無線充電式水龍捲吸塵機**

MODEL NO.: GWC25V



A GILMAN GROUP BRAND

Please read and retain for future reference.

IMPORTANT SAFEGUARDS

WARNING

- This appliance can be used by children aged from 8 years and above and persons with reduced physical, sensory or mental capabilities or lack of experience and knowledge if they have been given supervision or instruction concerning use of the appliance in a safe way and understand the hazards involved.
- Children shall not play with the appliance as it is not a toy.
- Children should be supervised at all times to ensure that they do not play with the appliance.
- Cleaning and user maintenance shall not be performed by children.
- The appliance is only to be used with the power supply unit provided with the appliance.
- Using any other recharging unit will void the warranty.

WARNING: For the purposes of recharging the battery, only use the detachable supply unit provided with this appliance.

WARNING: The plug must be removed from the socket-outlet before cleaning or maintaining the appliance.

- The appliance must be disconnected from the supply mains when removing the battery.
- The battery is to be disposed of safely.
- Attention should be drawn to the environmental aspects of battery disposal. Don't throw used batteries in dustbin. Please contact your retailer in the order to protect the environment.
- Regarding the detail on how to remove the battery, thanks to refer to the section "Remove the Battery (Waste disposal)" in Page 20 and 21 of the manual.

IMPORTANT SAFEGUARDS

- The external flexible cable of the transformer cannot be replaced, if the cord of this transformer is damaged, it is necessary to dispose the transformer and replaced by a transformer of the same model.
1. This product is intended for indoor / household use on light dry household dust and debris only.
 2. This product is designed for vacuuming small areas of dry material only; do not use for vacuuming water or other liquids.
 3. Sparks inside the motor can ignite flammable vapors or dust. Do not vacuum or use this product near flammable or combustible liquids (e.g., gasoline or other fuels, lighter fluid, cleaners, oil-based paints), gases (e.g., natural gas, hydrogen), explosive dust (e.g., coal dust, magnesium dust, grain dust, gunpowder) or any fire sources.
 4. Do not vacuum anything that is smoking or burning (e.g., cigarettes, matches, hot ashes).
 5. Never vacuum toxic materials as the vapors or dust may cause a health hazard.
 6. Do not use the machine to vacuum clean gypsum plaster, cement, etc. that can harden on coming into contact with water and can thus hamper the normal functioning of the machine.
 7. This product is not a toy. Close attention is necessary when used by or near children or pets. Never use this product on pets.
 8. Never use a damaged Vacuum or AC Adapter.
 9. Do not mutilate or incinerate the Battery Packs, as they will explode at high temperatures.
 10. Do not plug/unplug the AC Adapter into/from the electrical outlet with a wet hand.

IMPORTANT SAFEGUARDS

11. Do not place or drop the product into water or other liquids. If the product falls into water or other liquid, do not touch or reach into the water. Immediately unplug it from the electrical outlet before retrieving the product from the water/liquid.
12. Do not charge the product if the power cord is cut, damaged, or if the wires are exposed.
13. Keep the adapter cord and the product away from heated surfaces.
14. To disconnect the AC Adapter from an electric outlet, pull directly on the adapter base; do not pull on the cord.
15. Do not put any stress on the adapter cord where it connects to the product, as the cord may fray and break.
16. If using an extension cord with this product, the marked electrical rating of the cord set or extension cord must be at least as great as the electrical rating of the product.
17. Do not operate this product if it has a damaged adapter cord or plug, malfunctions, dropped or damaged, left outdoors, or dropped into water. Do not attempt to repair this product yourself. Take the defective product to the service centre for inspection and repairs.
18. To avoid the risk of electric shock, do not immerse the adapter cord, plug or appliance into water or other liquids.
19. Do not expose to skin or eyes directly when the UV light is on and do not look directly to the UV light.
20. This product is not intended to use by persons (including children) with weak physical condition, slow reaction, mental retardation, lack of experience and common sense, unless they are under supervision or instruction by the person who is responsible for their safety.

IMPORTANT SAFEGUARDS

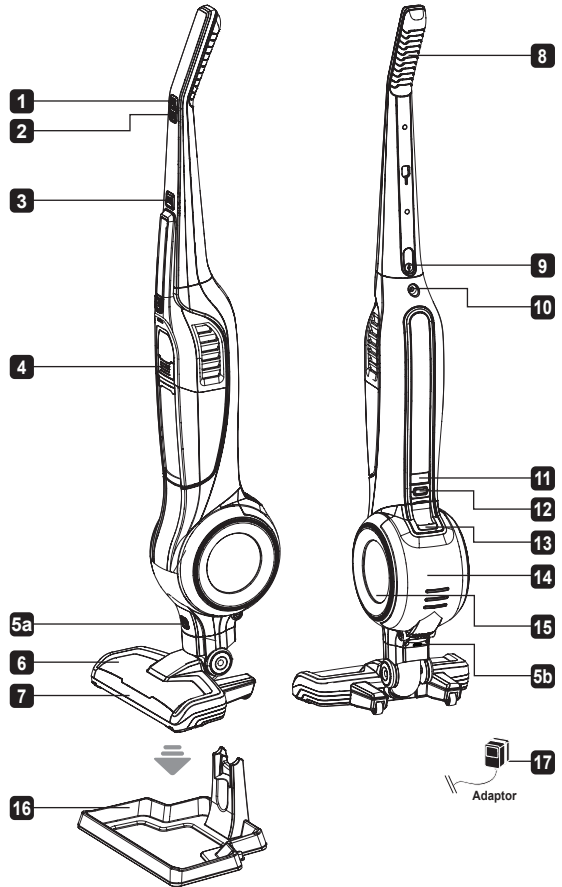
PRECAUTIONS

1. Do not use this product outdoors. For optimal operation, keep the product in a location that does not exceed 40°C. Do not store in a vehicle under the sun or near heating equipment.
2. Do not operate the product while it is charging.
3. Do not touch the rotating parts of power brush when in operation.
4. Never insert objects into any of the openings in the product. Do not use the product if any of the openings are blocked.
5. Do not use the product to vacuum metal objects such as screws, nails, tacks and metal filings etc.
6. Empty the product after each use. Keep it free of dust, lint, hair, or anything that reduces airflow.
7. Keep hair, loose clothing, and body parts away from openings or moving parts, especially the part of the product where there is suction.
8. Never place the vacuum nozzle near your face, especially eyes and ears, during operation.
9. Do not use the product without the filter and filter cover securely in place.
10. Be careful when using the product on stairs in order to prevent falls.
11. The battery charging terminals on the vacuum cleaner must be kept clean and free of debris.
12. Only use the AC/DC adapter provided with the product.

PRODUCT OVERVIEW

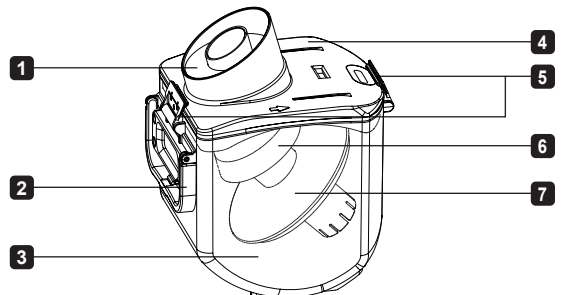
MAIN BODY

1.	ON/OFF Main switch
2.	ECO SPEED switch
3.	Handheld release button
4.	Handheld unit
5.	Floor nozzle release button (5a+5b)
6.	Floor nozzle
7.	LED pivoting lights
8.	Stick handle
9.	Handle lock screw
10.	Charging port
11.	UV function display
12.	UV Sterilize button
13.	Chamber release button
14.	Chamber cover
15.	Reservoir
16.	Free standing base



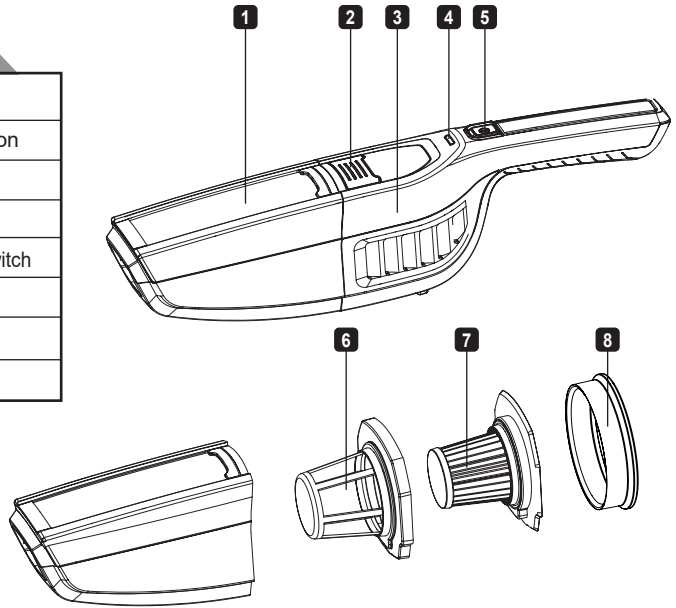
RESERVOIR

1.	Active carbon filter
2.	Handle
3.	Reservoir
4.	Reservoir cover
5.	Cover locks
6.	Inner tube
7.	Tube head



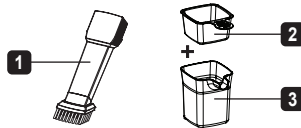
HANDHELD UNIT

1.	Handheld nozzle
2.	Nozzle release button
3.	Handheld unit
4.	Charging indicator
5.	Handheld ON/OFF switch
6.	Outer filter
7.	HEPA inner filter
8.	Seal ring



ACCESSORY INCLUDED

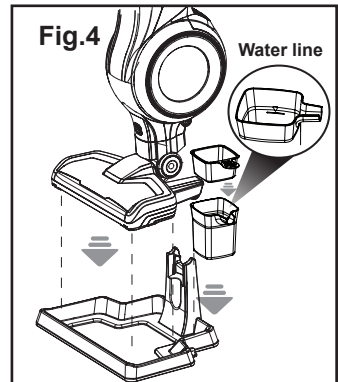
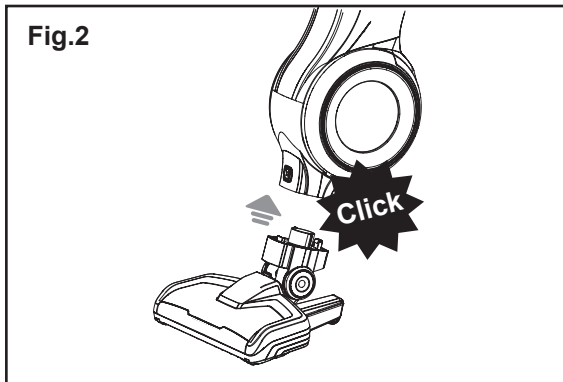
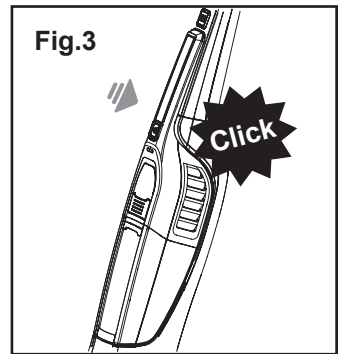
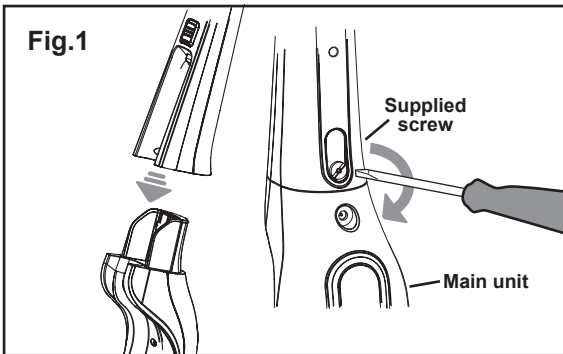
1.	Crevice with brush
2.	Sifter
3.	Measure cup



ASSEMBLY

Unpacking and assembly

1. Check that the package includes all parts described in this instruction manual before starting.
2. Fit the stick handle by carefully inserting it into the main body.
3. Remove the supplied screws, insert the handle into the main unit, install the screw and tightening the handle, by a screwdriver (flat head). (screwdriver not included) (Fig.1)
4. Insert the floor nozzle into the main body. (Fig.2)
5. Insert the handheld unit into the main body. Make sure to hear the “click” sound such that it locks into the main body. (Fig.3)
6. Pick up and place the vacuum cleaner on the stand base provided. It can secure the product to stand firmly in position. (Fig.4)
7. Place the sifter on top of the measuring cup. There is two recessive slots at the bottom of measuring cup, then insert either the slot into the post of the stand base for storage purpose.



CHARGING

Charge the battery in the following situations and sequence.

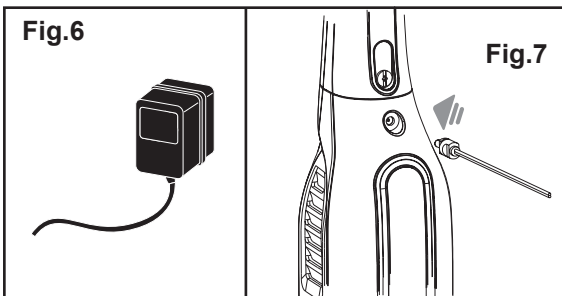
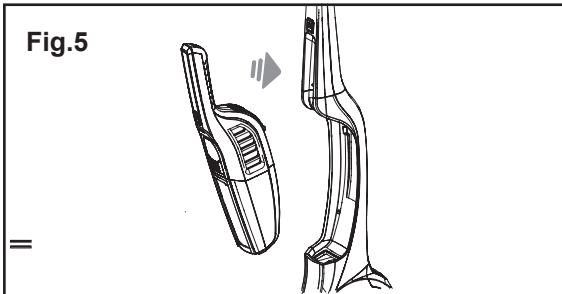
- Before using the product for the first time after purchase.
 - Before using the product after storing for an extended period of time.
- (It is recommended to re-charge the vacuum cleaner at least every 3 months for longer battery lifespan)

1. INSERTING THE HANDHELD UNIT INTO THE MAIN BODY

- Always turn OFF the stick vacuum when inserting the handheld unit into the main body.
- Ensure there are no substances between the contacts of the handheld unit and the main body.

2. CONNECTING THE ADAPTOR

- Make sure the handheld unit is securely inserted into the main body (Fig.5)
- Connect the adaptor into the power outlet. (Fig.6)
- Connect the power plug into the charging port. (Fig.7)



CHARGING


- Make sure that the contacts of the vacuum cleaner and charger are not dirty. Unplug the adaptor and clean the contacts if necessary.
- Before using the appliance for the first time, the vacuum cleaner batteries must be charged for 6-8 hours.
- Insert the charger plug into the electrical outlet.
- The charging indicator will light up in red to indicate the battery is charging.
- The charging indicator color will turn blue when fully charged.
- It is normal for both the adaptor and vacuum cleaner to become warm during charging.
- You can charge the vacuum cleaner at any time when it is not in use.
- When using the handheld unit continuously with built-in battery pack, the batteries of the handheld unit will become warm, which is a normal phenomenon.

NOTE:

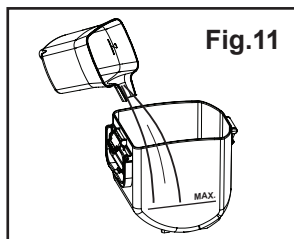
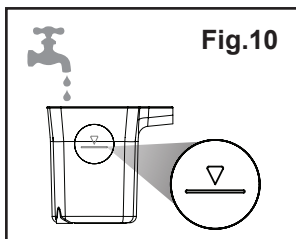
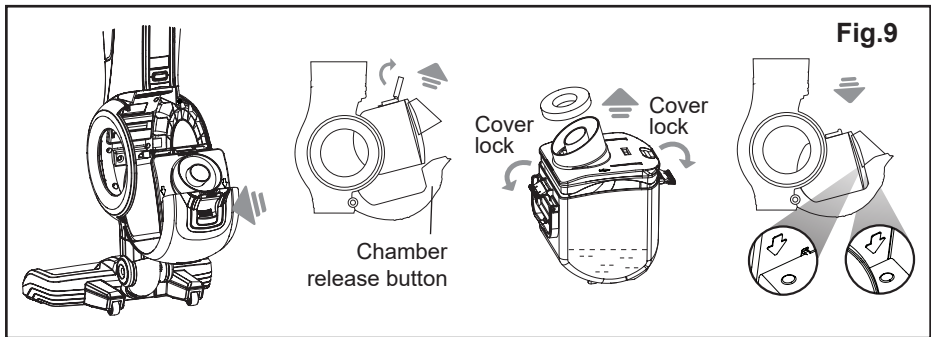
It is recommended to recharge the vacuum cleaner after every use to maintain the maximum performance.

OPERATING INSTRUCTION

Start

1. Press the chamber release button as shown above to unlock the chamber. (Fig.9)
2. Pull out the reservoir handle and remove the reservoir.
3. Unlock the top lid of the reservoir.
4. Pour fresh/ tap water into the provided measuring cup up to the water line marking (Fig.10), then pour the water into reservoir (Fig.11).
5. Close and lock the top lid. Return the reservoir back into the chamber (follow the direction of icon ) and lock it.

Turn ON the unit by pressing the “Power” button on the stick handle. Select either the “Power” or “ECO” mode by pressing the speed button. The “Power” mode provides maximum suction power and the “ECO” mode operates at a lower sound level.



NOTE:

1. The formation of foam inside the reservoir may occur during the cleaning process. Slight foam formation is normal and does not hamper the functioning of the machine.
2. Detergent, soap powder, bleaching liquids and the like MUST NOT be added to the reservoir.

OPERATING INSTRUCTION

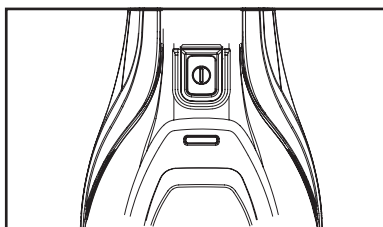
Stop

- Turn OFF the unit by pressing the “Power” button again.
- During short pauses in vacuuming, the vacuum cleaner can be left standing by leaning it slightly forward or you can rest it on the free standing base properly.

Caution!

Always turn off the vacuum cleaner when left standing because the brush bristles may damage a floor or carpet if left running.

Indicator lights



-  **Battery full - Blue light on**
-  **Battery below 20% - Blue light flashing**
-  **Battery low - Red light flashing**

STATUS	LED Indication	
	RED	BLUE
Power ON	OFF	ON
Battery below 20%	OFF	Flashing
Battery low	Flashing	OFF
Charging	ON	OFF
Charge complete	OFF	ON
Roller brush jam	Red on + Purple flashing	
Main motor jam	Purple flashing	
Battery failure	Red & Blue alternative flashing	
Short circuit	Blue on + Purple flashing	

WARNING:

1. This product is designed for household use only. The supplier is not responsible for the damage caused by improper use or misuse of the product.
2. To avoid injury, do not put fingers or hands into the roller brush / beater.

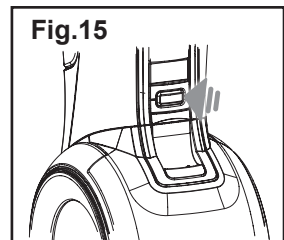
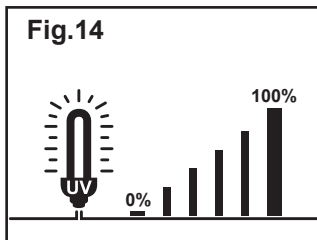
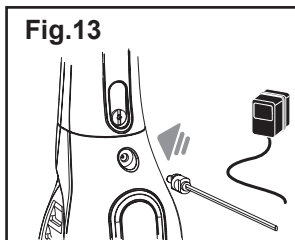
OPERATING INSTRUCTION

Waste disposal

- Change the water when it becomes dirty. Do not vacuum for very long extended period of time with one filling of water. Check the water quality during cleaning and if the water becomes too discolored or dense with dust and lint, unlock the top cover of reservoir and empty the reservoir and refill with fresh/clean tap water.
- Empty the reservoir immediately after every usage

UV Sterilization

1. After the clearance of the reservoir and restore into chamber.
2. Connect the adaptor into power outlet and then connect power plug into the charging port (Fig.13), sterilization cycle will start automatically and the indicator light will illuminate indicating sterilization status (Fig.14).
3. UV light is being emitted to kill the bacteria inside the tank.
4. The UV light will be automatically shut down after 45 minutes.
5. User can repeat or switch on the next sterilization cycle by pressing the sterilize button again (Fig.15).



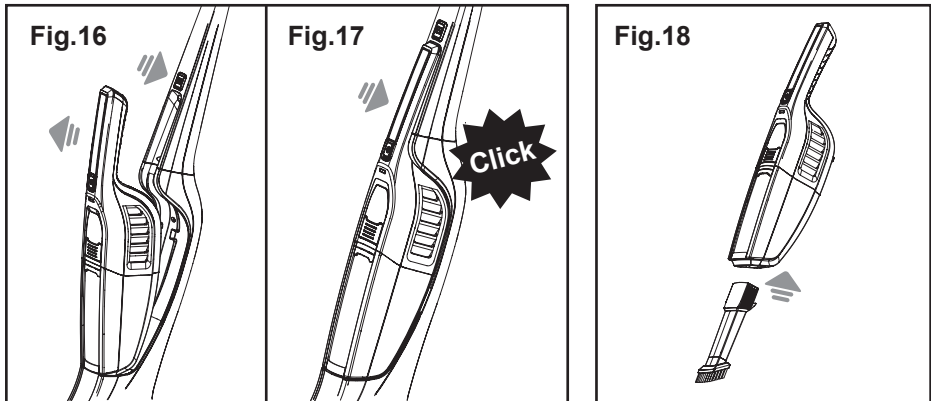
NOTE:

1. The UV light will be automatically shut down if the chamber is accidentally opened as it is protected by a safety lock.
2. No UV light will be emitted if the sterilize button is OFF.
3. Sterilization will only be activated to function when the power adapter is connected to the main body and power outlet.

OPERATING INSTRUCTION

Using the handheld unit

- Press the handheld release button on the main body to release the handheld unit. (Fig.16)
- Insert the handheld unit into the main body for assembly. Make sure to hear the “click” sound. (Fig.17)
- Select the accessory to be used and connect it to the handheld unit. (Fig.18)
- Turn on the handheld unit by pressing the “Power” button on the handle.
- Turn off the handheld unit by pressing the “Power” button again.
- Insert the handheld unit into the main body. Ensure to hear the “click” sound which confirms that it has locked into the main body.



CAUTION:

The handheld unit is not allowed to vacuum water or liquid.

NOTE:

It is recommended to empty the dust container after every use. Please follow the instructions in the “Cleaning & Storage” section.

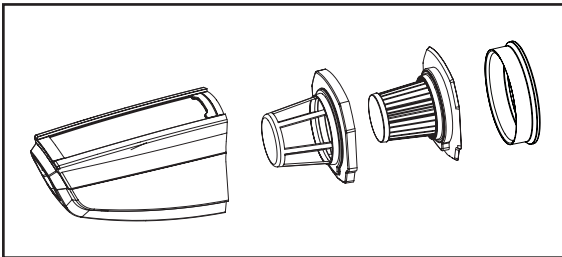
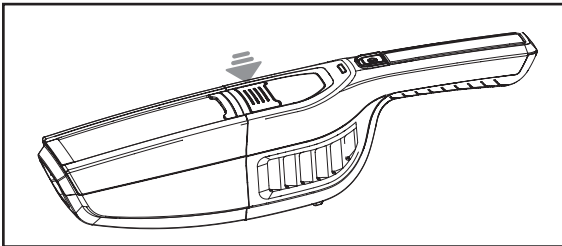
CLEANING AND STORAGE

- Always turn OFF the power and disconnect the power plug from the power outlet before starting any maintenance.

Handheld Unit and Main Body

- Wipe off any dirt from the vacuum using a dry and soft cloth.
- In case of stubborn dirt, clean using a soft and slightly damp cloth soaked in a water solution diluted with a little neutral detergent and then wipe clean with a dry rag.
- Do not use soap powder, detergent and solvents like thinner, benzene, and spray type cleaners.
- After cleaning, wipe with a dry cloth.
- Ensure that there is no water in the nozzle after cleaning the handheld unit.

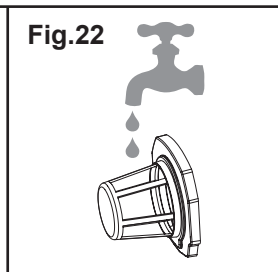
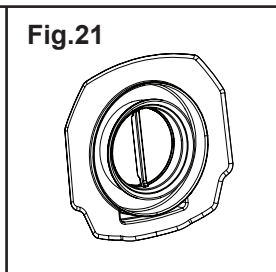
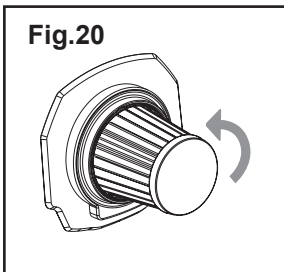
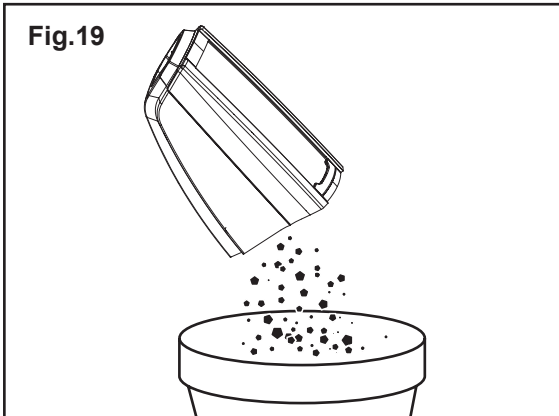
Handheld Unit



- Remove the dirt / dust from the nozzle of handheld unit after each use.

CLEANING AND STORAGE

- Empty the contents into a dust bin. (Fig.19)
- Remove the HEPA filter by turning the housing in the anti-clockwise direction. (Fig.20), then remove seal ring. (Fig.21) as indicated below, wash outer filter with tap water and clean the HEPA filter, let it dry completely before reinserting into the handheld unit. (Fig.22)



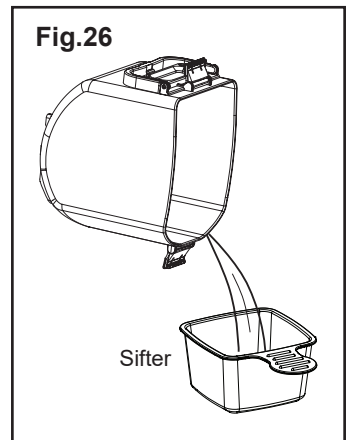
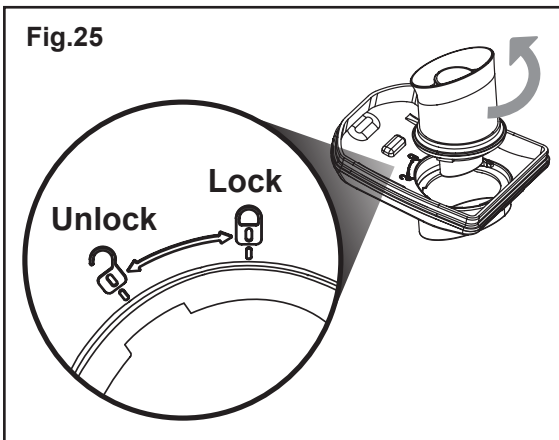
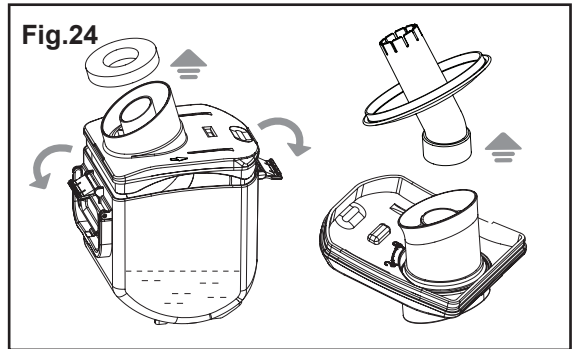
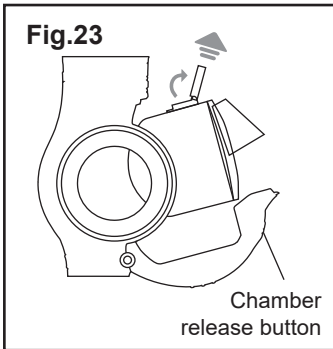
NOTE:

The Handheld nozzle, HEPA filter, outer filter and seal ring must not be put into dish-washer, it has to be hand-washed.

CLEANING AND STORAGE

Reservoir Disposal

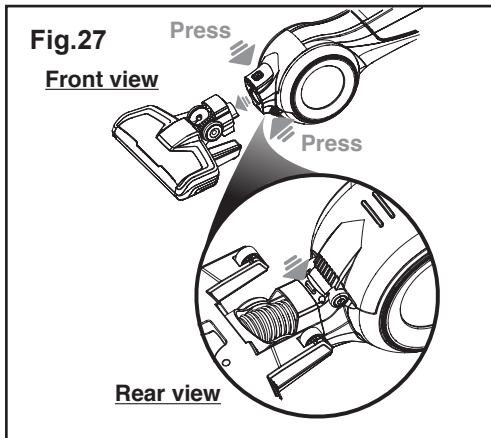
1. Press the chamber release button to eject the chamber. (Fig.23)
2. Pull out the reservoir handle and remove.
3. Unlock the top lids of the reservoir. (Fig.24)
4. Take off the reservoir cover. Empty the reservoir and wash thoroughly.
5. Pull out the tube head. Turning the inner tube in an anti-clockwise direction to the unlock position. (Fig.25)
6. Empty the reservoir by using the sifter. Pour the dirt water through the sifter into the sink, the big particles or hairs will be filter out and disposed separately into rubbish bin. (Fig.26)
7. Wash the cover, tube head, inner tube and active carbon fiber with tap water, let it dry completely before inserting back into the reservoir cover.
8. Close and lock the top lid. Put the reservoir back into the chamber and lock it.



CLEANING AND STORAGE

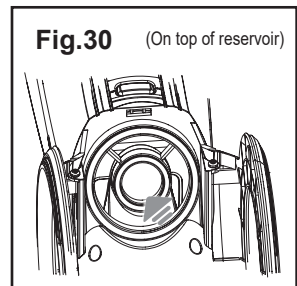
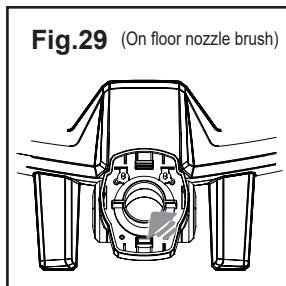
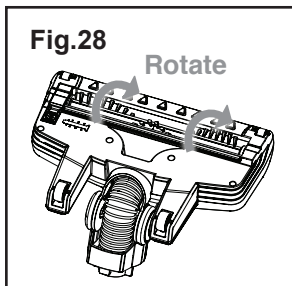
Floor nozzle

- To take the floor nozzle out, lay the vacuum cleaner flat on the floor. Press and hold the floor nozzle release buttons at the same time as indicated below and pull out the floor nozzle. (Fig.27)
- Carry out the cleaning and maintenance if any waste or hair has tangled in the brush.



Regular Maintenance

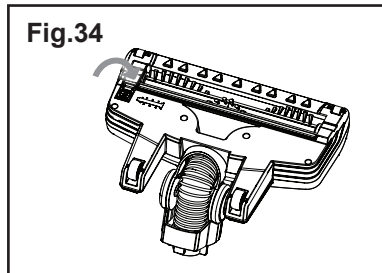
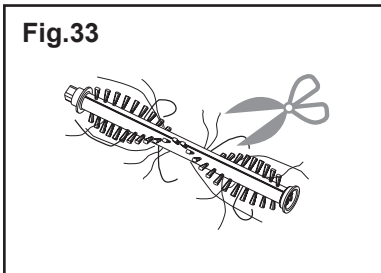
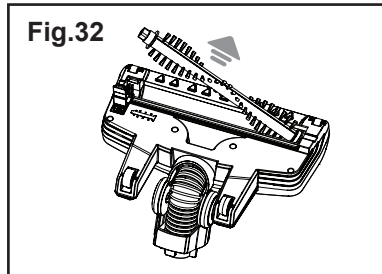
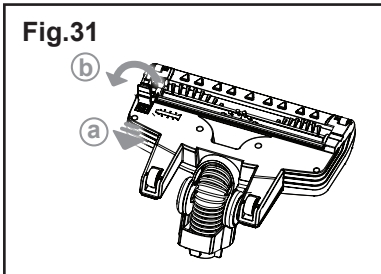
- Slowly rotate the brush manually and remove any foreign objects tangled around the roller brush. (Fig.28)
- Check and clean the vacuum channel of floor nozzle brush and the main stick body (above the reservoir) occasionally. Remove the blockage and take out any waste. (Fig.29 & 30)



CLEANING AND STORAGE

Maintenance when the brush cannot be smoothly rotated

1. Pull backward (Fig.31 a) and dislodge the brush cover (Fig.31 b).
2. Lift up the left side of the roller brush and then remove. Then remove the blockage and take out any waste. (Fig.32 & 33)
3. Re-install the rotating brush again. Finally, check if the brush cover is securely fixed and the roller brush easily rotates properly with your hand. (Fig.34)



NOTE:

Check the rotating brush whether it is being clogged by hair or other obstacle and remove it after each use

WASTE DISPOSAL

- When the battery pack no longer maintain a charge, the product may have reached the end of its lifespan. Before discarding the product, the rechargeable battery pack must be removed and recycled in accordance with the federal and local laws. Do not dispose the battery pack with other household waste.

TROUBLESHOOTING

Problem	Possible cause	Solution
The vacuum cleaner will not start	The vacuum cleaner has not been charged	Make sure the vacuum cleaner has been fully charged for first time use or if it has not been used for a long time.
The vacuum cleaner is not charging	The power switch is not turned on	Make sure the power switch of main power supply is turned on.
	The power cord is damaged	Do not use a damaged power cord. Please bring to customer service centre.
The suction power is decreasing	The crevice tools or extension hose may be blocked	Check that there are no blockages in the crevice tools and/or extension hose. If so, clear the blockages before using.
	Water in the reservoir is very dirty	Change the water in the reservoir to fresh water.
	Filter is dirty	Clean the filter. It is recommended to replace the filter one time per year to maintain maximum performance.
Vacuum cleaner is over heating	Filter is dirty	Check the filter and clean off any dirt.
The air coming out of the vacuum cleaner smells	Filter is dirty	Check the filter and clean off any dirt.
	Filter is not dry	Make sure the filter has been left to dry before inserting it back into the handheld unit.
The battery/charging indicator light is blinking	The vacuum cleaner is out of power	Recharge the vacuum cleaner to its full capacity. The light will stop blinking.
The brush does not turn anymore	The brush has encountered too much resistance	Clean the brush

PRODUCT SPECIFICATIONS

Model	: GWC25V
Power Source	: 25.2V Rechargeable Battery
Motor	: DC 25.2V
Adaptor (Input)	: AC 100-240V 50/60Hz
Adaptor (Output)	: DC 32V 400mA
Type of Battery Used	: Li-ion Battery, 2000mAh
Charging Time	: 6 - 8 Hours
Power Consumption	: 130 Watt
Operation temperature	: 0°C to 40°C
Product dimensions	: 260(W) x 1105(H) x 263(D) mm

* The final product specification may be varied according to a different lot of material and actual input voltage power of the usage area.

閱讀下列說明事項並請妥善保管，以供日後參考。

安全使用注意事項

警告：

- 本產品僅適用於8歲以上的兒童在成人監督或指導下安全地使用。
- 這產品不是玩具。
- 請確保兒童不玩弄本產品。
- 兒童不得使用本產品進行清潔及維修。
- 本產品只能與本產品附帶的充電器一起使用。
- 使用任何其他充電器將導致保養失效。

警告：

- 只能使用本產品器附帶的充電器進行充電。

警告：

- 在清潔本產品前，必須拔離電源。
- 取出電池時，必須先把充電器拔離電源。
- 電池要安全處理。
- 注意不要把電池棄置於垃圾桶內。
- 有關如何取出電池的詳細信息，請參閱手冊內的產品棄置處理部分。
- 如果變壓器的電線損壞切勿使用及自行維修，必須更換為同一型號的變壓器。

安全使用注意事項

警告:

1. 此產品設計為適用於室內及家庭使用，只適用清理乾透的家庭灰塵及碎屑。
2. 此產品只適合用於吸塵和細小垃圾，不能吸任何水和液體
3. 此產品內的摩打在開動時會產生火花，所以此產品不可吸入易燃性物品或在易燃性物品附近開動（如氣油或燃料、打火機氣油、清潔液、油性油漆），氣體（如天燃氣、氫氣），或爆炸物（如煤、鎂、火藥）。
4. 不能吸入正在出煙或燃燒中的物品（如香煙、火柴、熱灰）
5. 不能吸入有毒物品，會對身體做成傷害
6. 不能吸入石膏，水泥等建築物料，此等物料接觸水後會硬化及阻塞吸塵機，影響產品正常運作。
7. 這產品不是玩具，當在小朋友或動物附近使用時要特別小心，不要對動物使用此產品。
8. 如吸塵機或充電器損壞，請不要使用。
9. 請勿破壞，燃燒電池組，這會引起爆炸。
10. 手濕時請勿插入或拔出充電器，吸塵機必須乾透後才可以放回充電座。
11. 不要把吸塵機放入水中，如果吸塵機已沉入水中，而吸塵機是連著充電器，請先把充電器拔離電源，再把吸塵機從水中取出。
12. 如充電器電線損壞，請不要用來充電。
13. 吸塵機和充電器不要放近發熱地方。
14. 當拔出充電器時，請不要只拉電線，要拉整組充電器。
15. 不要拉扯充電器電線，會使電線斷開損壞。
16. 如用拖板，拖板的可用功率必須比充電器大。

安全使用注意事項

17. 如吸塵機，充電器，電線損壞，請不要使用，也不要自行修理，必須送回生產商或代理商維修。
18. 避免觸電危險，不要沉浸充電器電源線，插頭或產品於水或其它液体。
19. 當UV燈亮起動時，不要直接照射皮膚或眼睛，不要直視UV燈光。
20. 本產品並不傾向提供給體能弱，反應遲緩，有精神障礙的人或缺乏相關經驗和常識者（包括兒童）使用。除非在對其負有安全責任的人仕指導或幫助下安全使用。

安全使用注意事項

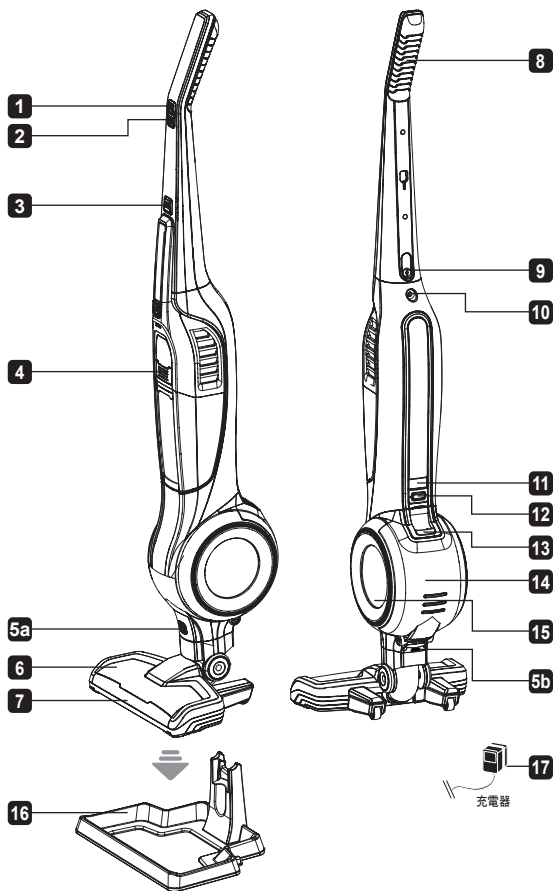
注意:

1. 此產品不可以在戶外使用，理想使用溫度是不高於攝氏40度，不適宜儲存於陽光照射下的車輛內或靠近任何加熱裝置。
2. 充電時不要使用吸塵機。
3. 當產品操作時，請勿觸摸旋轉中的電動刷毛部件。
4. 不應把吸塵機上的孔堵塞，也不應使用被堵塞的吸塵機。
5. 不要吸入金屬物品如硬幣、螺絲、釘、大頭釘。
6. 每次使用完後都要清理吸咀內的垃圾，特別是頭髮，絨布等會對風量有影響的垃圾。
7. 使用時注意不要吸到頭髮，鬆身衣服或身體。
8. 不要把吸塵機的吸咀靠近頭，眼睛和耳朵。
9. 使用前吸塵機必須裝上過濾網及確保所有部分安裝牢固在產品上。
10. 在樓梯上使用本產品時，請務必小心，以防止跌倒。
11. 機身上的充電接觸片部份，必須保持清潔。
12. 此機只可使用附上的充電座和充電器。

部件示意圖

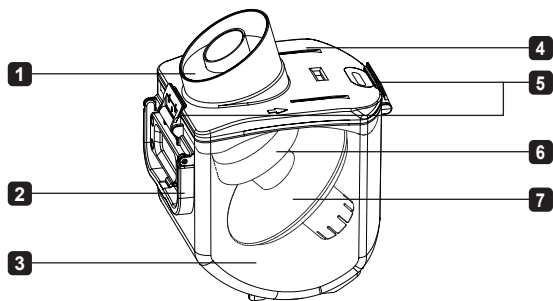
主機

1.	主機 ON/OFF 開關
2.	主機速度調節開關
3.	手提吸塵機分離按鈕
4.	手提吸塵機
5.	地耙分離按鈕 (5a+5b)
6.	地耙吸嘴
7.	LED照明燈
8.	主手柄
9.	手柄鎖螺絲
10.	充電接口
11.	UV消毒功能顯示屏
12.	UV滅菌功能按鈕
13.	水過濾面蓋釋放按鈕
14.	水過濾面蓋
15.	水過濾水箱
16.	固定座
17.	充電器



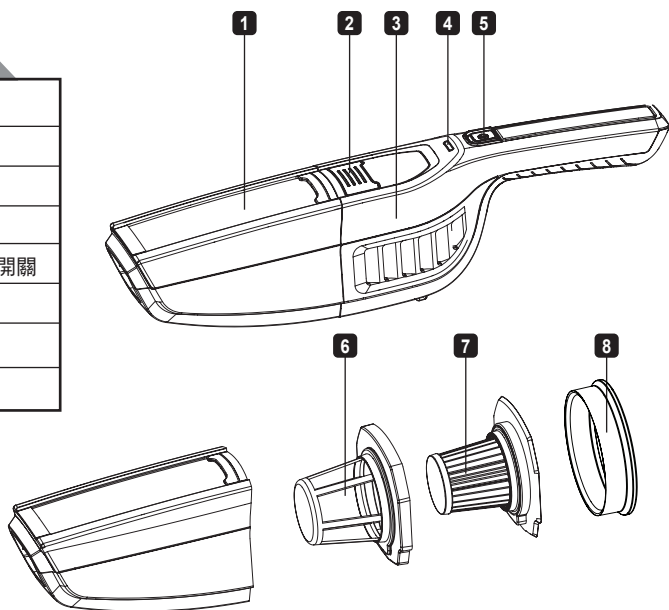
水箱

1.	活性炭纖維過濾網
2.	水箱提手
3.	水箱
4.	水箱蓋
5.	水箱蓋鎖
6.	吸槽
7.	吸槽罩



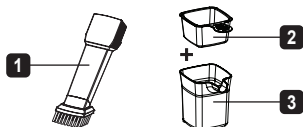
手提吸塵機

1.	手提吸塵機吸咀
2.	吸咀釋放按鈕
3.	手提吸塵機主體
4.	充電指示燈
5.	手提吸塵機ON / OFF開關
6.	外過濾網
7.	HEPA過濾網
8.	密封圈



產品配件(隨機附送)

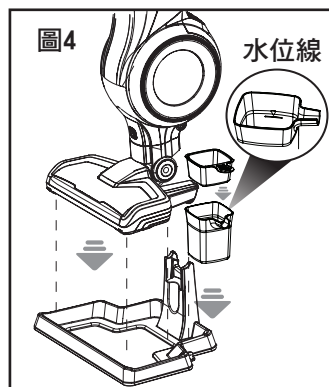
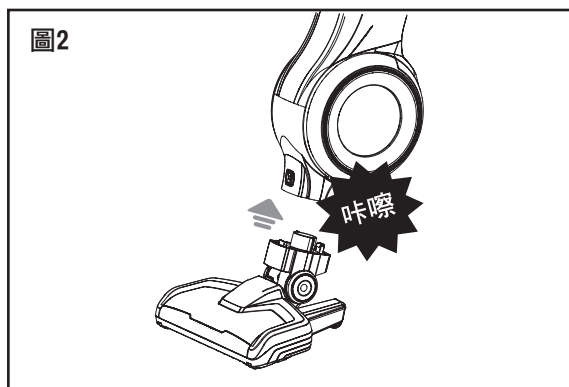
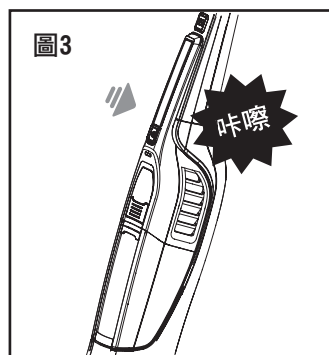
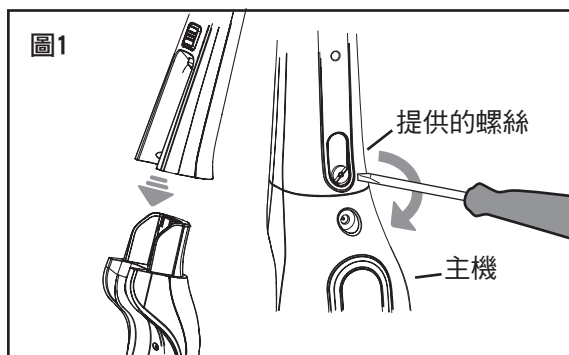
1.	吸咀
2.	隔塵器
3.	量杯



安裝

拆包裝及安裝

1. 組裝前, 請先檢查產品及使用說明書中提及之部件是否齊全。
2. 小心地將手柄插入主機頂端接口。
3. 將本產品提供的螺絲取下, 再將手柄插入主機, 裝上螺絲並鎖緊手柄, 使用平頭螺絲刀(本產品不包含螺絲刀)(圖1)。
4. 把地耙插入在主機末端, 請確保聽到“咔嚓”一聲以表示地耙已鎖定在主機上(圖2)。
5. 將手提吸塵機組裝在主機槽位內。請確保聽到“咔嚓”一聲以表示手提吸塵機已鎖定在主機上(圖3)。
6. 用手提起組裝完成的吸塵器, 然後放到所提供的配件產品底座上。此底座配件可以加強產品站立時之穩定性。(圖4)
7. 將隔塵器放在量杯上, 量杯底部有兩個凹陷插槽, 把其中一個插槽插在相對應的產品底座支架上。



充電

在以下情況需為產品電池充電

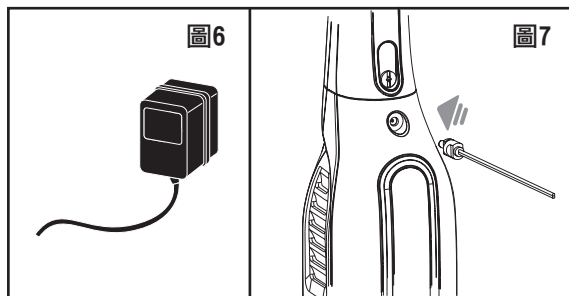
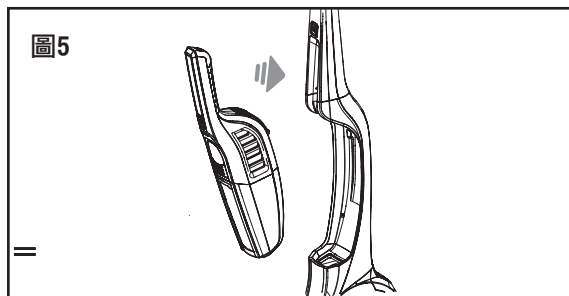
- 第一次使用前或長時間儲藏後必須先行充電。
- 當產品存放了一定之長時間後，必須先行充電（建議最少每3個月重新充電，以延續電池壽命）。

1. 將手提吸塵機放在主機內

- 當組裝時，請務必關閉吸塵機。
- 請確保手提吸塵機及主機之間之接觸處並沒有任何異物或其他外部物質。

2. 連接電源充電器

- 把手提吸塵機放在主機內（圖5）。
- 將電源充電器插上電源插頭（圖6）。
- 再將充電器尾端接頭插入主機之充電接口（圖7）。



充電

- 請確保電源接合部件之間之接觸處並沒有任何異物及清潔，如有需要，請拔除電源接口清潔。
- 第一次使用前，請為吸塵機進行充電6-8小時。
- 電池正在充電時，充電指示燈(LED)會亮起紅色(圖8)。
- 當電池充滿電時，充電指示燈(LED)顏色將變成藍色。
- 充電過程中，吸塵機及電源充電器會有稍微溫熱是正常的。
- 您可以在不使用產品時，為產品進行充電。
- 當連續使用手提吸塵機時，電池部份有稍微溫熱是正常現象。

注意：

建議每次使用吸塵機後都進行充電，以達致最佳使用效果。

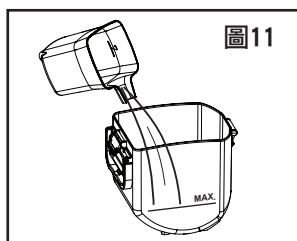
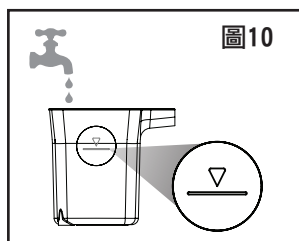
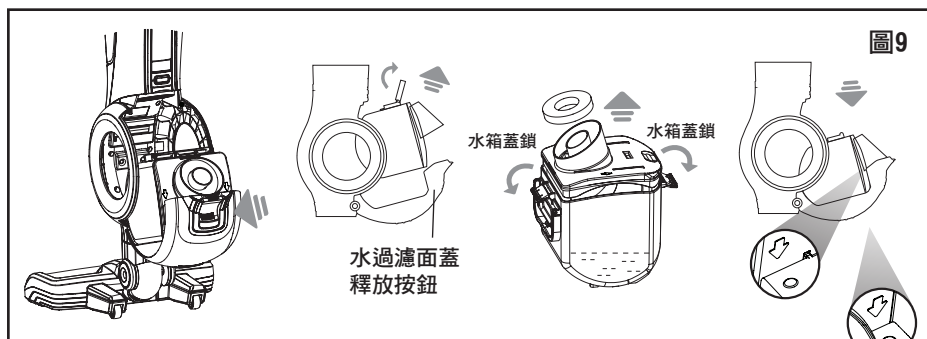
使用說明

開始

1. 按下水過濾面蓋釋放按鈕（圖9）。
2. 拉起水箱把手，取出水箱。
3. 解除水箱頂蓋之鎖扣。
4. 按量杯水標線注入清水（圖10），然後將水倒入水過濾水箱內（圖11）。
5. 放回並鎖上水箱頂蓋。把水箱放回主機（參考標織上的方向 ② ），再鎖上水過濾面蓋。

按下主機上的ON/ OFF開關按鈕以開啟產品操作。

亦可按下主機速度調節開關,以選擇“快速”或“節能”操作模式,在“快速”模式下,產品會處於最大的吸力。而在“節能”模式下,產品會處於相對低噪音及較長之操作時間。



注意：

1. 在清潔過程中，在水箱內可能會產生泡沫。
泡沫抑制液（不附送）可以添加到水箱內，以避免產生泡沫的情況。
在操作過程中，產生輕微泡沫是正常的現象，不會妨礙產品的運作。
2. 請不要加入洗滌劑，洗衣粉，漂白液等到水箱內。

使用說明

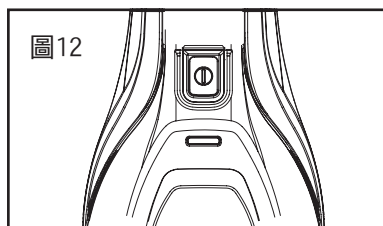
停止操作

1. 再次按下ON/ OFF按鈕以關閉本機操作。(圖12)
2. 在吸塵過程中，在短暫停止操作時，可把主機稍微傾向地耙前方，產品可以獨立站立或可放回機身插座上。

注意：

當產品直立於地上停放時，請務必關閉吸塵器，因為運轉的刷毛可能損壞地板或地毯。

指示燈



- 電池充滿 - 藍燈亮起
- 電池低於20% - 藍燈閃爍
- 電池低電量 - 紅燈閃爍

狀態	指示燈	
	紅	藍
電源開啟	關閉	亮
電池電量少於20%	關閉	閃爍
電池電量低	閃爍	關閉
充電中	亮	關閉
充電完成	關閉	亮
滾動毛刷堵塞	紅燈亮+ 紫燈閃爍	
主摩打堵塞	紫燈閃爍	
電池故障	紅燈及藍燈交替閃爍	
短路	藍燈亮+紫燈閃爍	

警告：

1. 本產品只限於室內及家居使用，請遵從說明書上的使用方法使用。供貨商因任何不正當或錯誤使用而造成的任何損失概不負責。
2. 當毛刷轉動時，切勿將手指或手放進轉動中的毛刷裡，以免受傷。

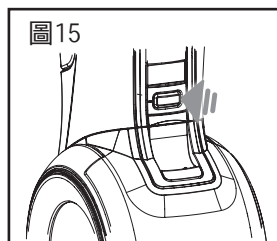
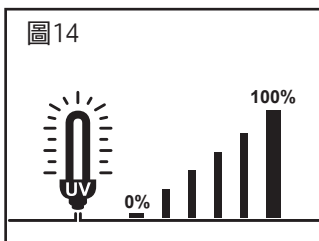
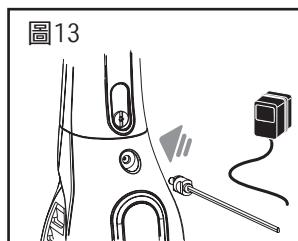
使用說明

水箱清理

- 當水箱的水變濁了，請更換清潔的水。
不建議用同一缸水量作長時間的吸塵操作。清洗過程中，請留意水箱內的水質變化，如果水質變黑色或積存過多塵埃或絨毛，請打開水箱蓋的頂蓋，清空水箱內之污水及更換潔淨的水。
- 建議每次使用後都清空水箱內的水。

UV 消毒殺菌

1. 清潔水箱及把水箱放置回後主機內。
2. 將充電器連接電源插座，然後再將充電器電源連接端插入主機充電端口（圖13），產品會自動啟動UV滅菌程序，UV顯示屏會亮起以顯示滅菌狀態（圖14）。
3. UV燈管會釋出紫外線以進行消毒。
4. UV滅菌程序會於45分鐘後自動關閉。
5. 如客人想重複或關上程序，可以再次按下殺菌按鈕（圖15）。



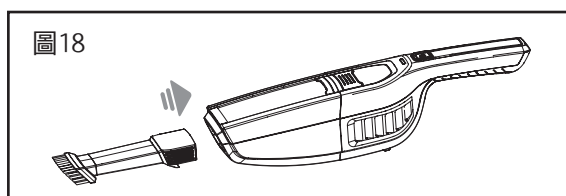
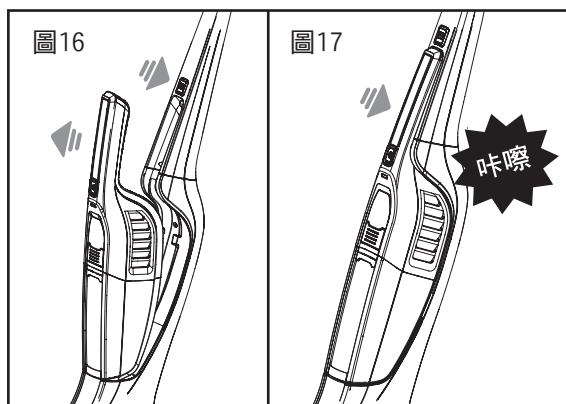
注意：

1. 如水過濾面蓋意外被打開，內置的安全保護鎖會自動關閉UV滅菌程序。
2. 如果殺菌按鈕被關閉，紫外線不會被釋出。
3. 只有在連接充電器的情況下，UV滅菌程序才可自動啟動。

使用說明

手提吸塵機

- 按下主機上的手提吸塵機分離按鈕，以取出手提吸塵機作獨立使用。(圖16)
- 如將手提吸塵機組裝入主機時，會聽到“咔嚓”聲以示兩者裝配完成。(圖17)
- 按使用用途選擇合適之配件，再連接到手提吸塵機。(圖18)
- 按下手柄上之“Power”按鈕以啟動操作功能。
- 再次按下手柄上之“Power”按鈕，操作功能便會關閉。
- 如將手提吸塵機組裝入主機時，會聽到“咔嚓”聲以示兩者裝配完成。



注意：

建議每次使用後，請清理手提吸塵機吸咀內之灰塵。
請參考以下“清潔與保養”之清潔指示。

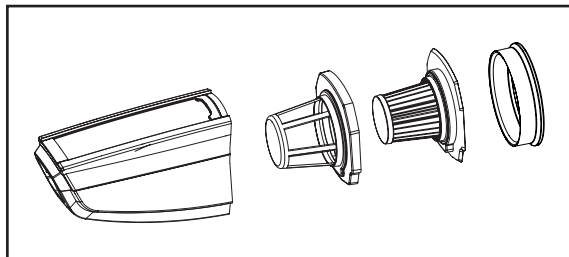
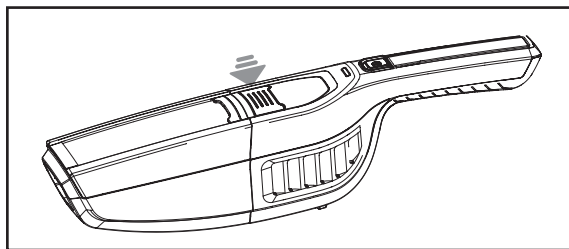
清潔和保養

進行保養前，請關上吸塵機開關，並把充電器從電源插座拔出。

手提吸塵機及主機

- 用乾或濕的布抹走機身的塵埃。
- 如有頑固的污跡，可用有清潔劑的濕布把污跡抹走，之後用乾布把機身抹乾。
- 不可用溶劑如稀釋劑或清潔噴劑。
- 清理後，用乾布抹乾。
- 清潔手提吸塵機後，請確保沒有水殘留在吸咀(儲塵器)內。

手提吸塵機



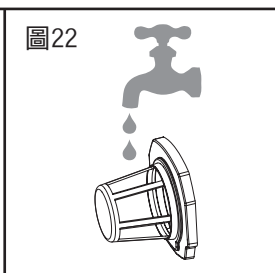
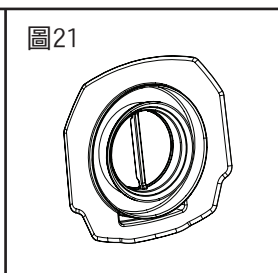
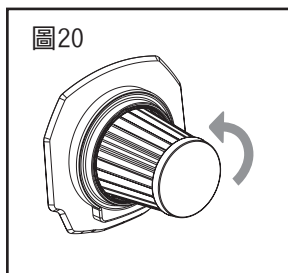
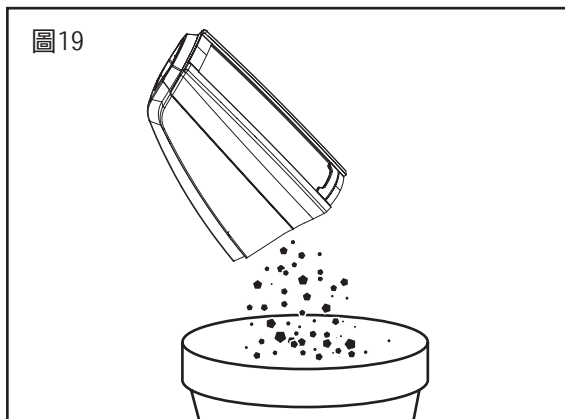
- 每次使用後，請清理手提吸塵機吸咀內之灰塵。

注意：

每次使用後必須清理吸咀內的污垢/灰塵。

清潔和保養

- 清理儲塵器內之污塵。(圖19)
- 轉逆時針方向把HEPA過濾網拆下。(圖20)接著以逆時針方向轉動移除密封圈。(圖21) 把外過濾網用清水清洗(圖22) 並清潔HEPA過濾網，待過濾網完全乾燥後，再插回吸塵機內。



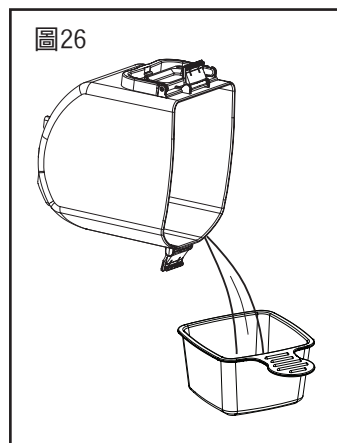
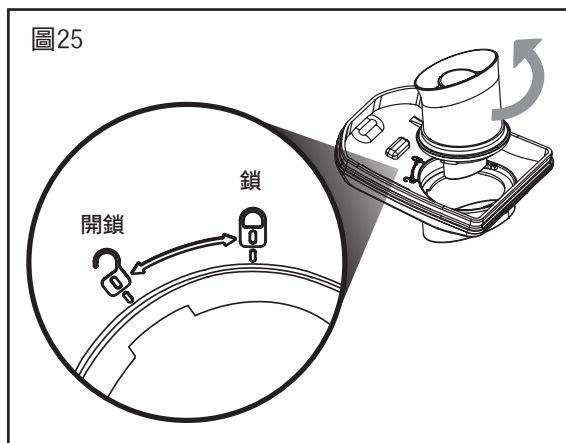
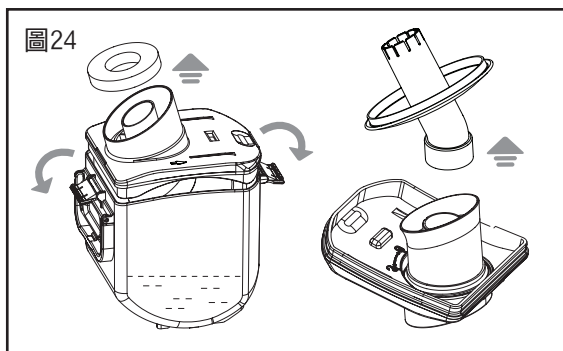
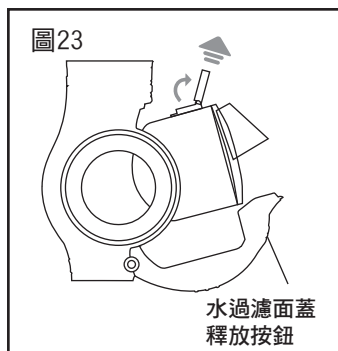
注意：

過濾器和手提吸塵機(儲塵器)不要放入洗碗機。請用手洗。

清潔和保養

水箱清倒及過濾

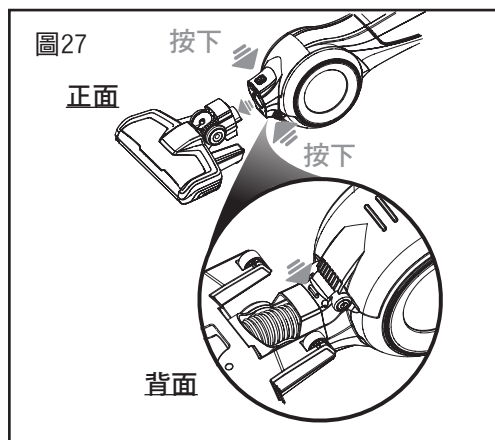
1. 按下水過濾面蓋釋放按鈕。(圖23)
2. 提起手柄，取出水過濾水箱。
3. 解開水箱蓋鎖。(圖24)
4. 取下水箱蓋。清空水箱及徹底清洗。
5. 手持吸槽，然後沿逆時針方向旋轉到到解鎖符號位置，拉出吸槽。(圖25)
6. 傾倒污水時，建議使用隔塵器配件，大體積的塵埃及毛髮會從污水中被分隔，再倒入垃圾桶內。(圖26)
7. 徹底清洗吸槽罩，吸槽，內外管壁及活性炭纖維過濾網。待各配件乾透後重新組裝水箱蓋。
8. 關閉並鎖緊水箱蓋。把過濾水箱放回主機內並鎖定水過濾面蓋。



清潔和保養

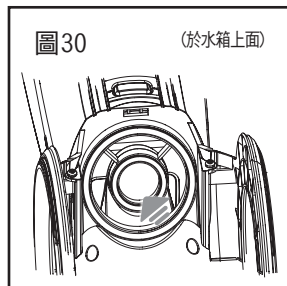
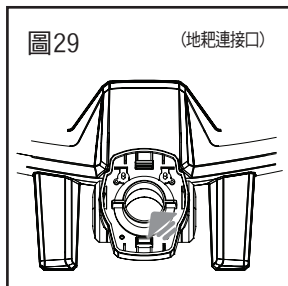
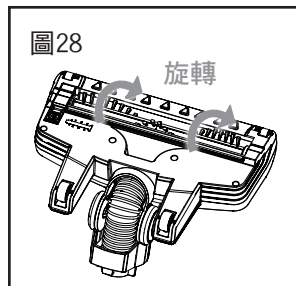
吸塵地氈

把地氈平放於地上，按圖片示同時按下前後兩個地氈分離按鈕，拉出地氈。(圖27)
如果有發現有任何廢物或頭髮糾結在毛刷上，請進行清潔和維護。



慣性維護

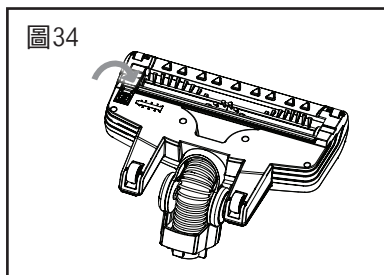
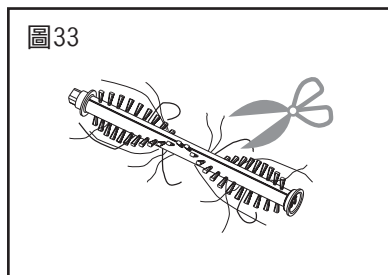
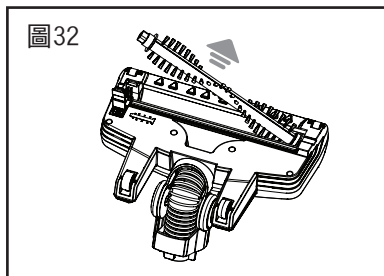
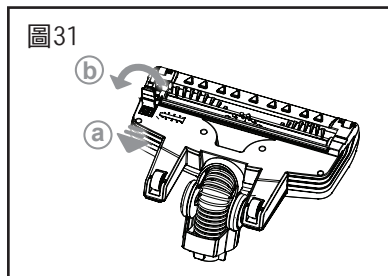
- 慢慢地用手旋動毛刷，清除糾結在毛刷上之異物。(圖28)
- 檢查並清潔地氈連接口和機身的連接通道（於水箱上面）。取出堵塞物並清除任何塵埃。(圖29和30)



清潔和保養

當毛刷卡住，不能用手轉動時，請跟從以下步驟。

1. 按住毛刷釋放鍵，然後向後拉動 (a)，抬起釋放鍵 (b)。(圖31)
2. 抬起左側毛刷軸和然後取出毛刷，然後清理堵塞物及廢物。(圖32 & 33)
3. 將毛刷軸重新安裝回地耙。鎖上毛刷鎖蓋，並用手轉動毛刷以察看毛刷是否安裝穩當及旋轉順暢。(圖34)



注意：

建議每次使用後，清理滾動毛刷，請定期檢查滾動毛刷有否被毛髮及其他物件纏繞。如有請清潔及移除。

產品棄置

- 當電池組不能再充電時，即代表此產品使用壽命已經殆盡。丟棄該產品時，請根據當地法律或指引進行循環回收。請勿將電池組與其他生活垃圾一起丟棄。

疑難排解

問題	問題可能的成因	解決方法
吸塵機無法啟動	吸塵機器並未被充電	當購買後第一次使用或者經過很長一段時間沒有被使用。請確保吸塵機重新被充滿電。
吸塵機不能進行充電程序	電源開關並沒有開啟	請確保主電源的電源開關已開通。
	電源線有破損	不要使用破損的電源線。請聯繫維修中心進行維修。
吸塵機吸力減弱	吸塵配件或延伸軟管可能有堵塞	檢查吸塵配件或延伸軟管是否有堵塞，如果有，使用前請清理堵塞物。
	水過濾箱內的可能變得混濁骯髒	清洗及更換水箱內之水。
	過濾網很骯髒	清洗過濾網，以保持最佳清潔性能。建議每年更換一次濾網。
吸塵機過熱	過濾網很骯髒	檢查及清洗過濾網。
吸塵機排出異味	過濾網很骯髒	檢查及清洗過濾網。
	過濾網清洗後並未乾透	清洗後，請確保過濾網已經乾透才放回產品內使用。
電池/充電指示燈閃爍	吸塵機電量已經降至很低	請將吸塵機充電充滿。該指示燈將停止閃爍。
地耙不能常操作及轉動	地耙毛刷被堵塞	拆除地耙毛刷清理堵塞物

產品規格

電源	: 25.2V 可充電式電池
馬達	: DC 25.2V
充電器 (輸入)	: AC 100-240V 50/60Hz
充電器 (輸出)	: DC 32V 400mA
電池種類	: 鋰電池, 2000mAh
充電時間	: 6 - 8 小時
電壓	: 130 瓦
操作環境溫度	: 攝氏0度至40度
產品尺寸	: 260(闊) x 1105(高) x 263(深) 毫米

* 相關產品的規格，可能會因配件批次或實際使用地區的電壓差異而有所不同。

請記錄下列產品資料

- 型號
- 機身編號
- 經銷商名稱
- 購買日期

本產品不斷改進中，如功能有所更改，恕不另行通知，如有疑問，請與客戶服務中心聯絡，不便之處，敬請原諒。

說明書內容以英文版本為準

ToolBox Customer Service Centre 客戶服務中心：
4/F, DCH Building, 20 Kai Cheung Road, Kowloon Bay, Hong Kong
香港九龍灣啓祥道20號大昌行集團大廈4樓

Customer Service Hotline 客戶服務熱線：(852) 8210 8210
Service E-mail 電郵地址：8210service@gilman-group.com
Please register now at 請即上網登記：www.toolbox.hk
Website 網址：www.gilman-group.com

Proudly Serviced by:



太平家庭電器